

# RITA

## CLASSIC ROUND



Round bulkhead lamp in classic style, made of shockproof resin material, UV-rays stabilized, rust and corrosion-free. Suitable for wall and ceiling installation. **Kelvin settable GX53 LED** or **E27** version available. Insulation class II, Protection rating IP66.



*Plafoniera circolare in stile classico, realizzata in resina antiurto stabilizzata ai raggi UV, inattaccabile da ruggine e corrosione. Idonea per il montaggio a parete e a soffitto. Disponibile nella versione a **LED GX53 con Kelvin impostabile** o **E27**. Classe di isolamento II, grado di protezione IP66.*



1T3.000

**CCT SETTABLE**

2700 K 4000 K 6500 K

SDCM <6




**RITA COMPONENTS**

IP 66



**COVER** with classic design made of shockproof resin material, UV-rays stabilized.

**COVER** in stile classico realizzata in resina antiurto stabilizzata ai raggi UV.

Opal **DIFFUSER** made of UV-rays stabilized polymethylmethacrylate (PMMA), with silicone rubber gasket to ensure high protection against external agents.

**DIFFUSORE** opale realizzato in polimetilmetacrilato (PMMA) stabilizzato ai raggi UV. Completo di guarnizione in gomma siliconica per garantire un alto livello di protezione contro gli agenti esterni.

**BASE** made of shockproof resin material, UV-rays stabilized. Provided with GX53 lampholder or with white resin reflective plate and E27 lampholder.

**BASE** realizzata in resina antiurto, stabilizzata ai raggi UV. Fornita completa di portalamпада GX53 o di piatto riflettente in resina bianca e portalamпада E27.

**RITA**

— ø 355 —



**Dimensions and weight**

Diameter: ø 355 mm  
Depth: 90 mm  
Weight: 1 Kg

**Moulded colours:**

Black  White

**Painted colours:**

Antique green  Antique bronze

**Diffuser PMMA:**

Opal

**LED LAMPS**



Comply with: EU2019/2015  
EU2019/2020  
Technical details on page 596.

**CCT SETTABLE LED LAMP**



CCT switch settable in three different positions, to select the desired Kelvin temperature (2700K/4000K/6500K) and get a customized ambiance.

**GX53 LED**

FULLY PRE-WIRED



Bulkhead supplied **fully pre-wired** and complete with TÜV-CB certified approved, long-life, efficient and Kelvin settable **GX53 LED lamp included**. Different wattage available.

- **COST SAVING:** long-life and efficient LED light sources.
- **BUILT-IN DRIVER:** Quick and easy lamp replacement for a very simple maintenance after installation.

**100 - 240 V**

LAMP	POWER	LUMINOUS FLUX (Φ TOTAL) UP TO	COLOUR TEMP.	*ADD. SUFFIX
	<b>7,2 W</b>	<b>920 lm</b>	6500 K	.A1K
			4000 K	
			2700 K	
	<b>11,3 W</b>	<b>1510 lm</b>	6500 K	.B1K
			4000 K	
			2700 K	
<b>17 W</b>	<b>2350 lm</b>	6500 K	.E1K	
		4000 K		
			2700 K	



**7,2W**  
**11,3W**  
**17W** = **60W**  
**100W**  
**150W**  
incandescent  
**SAVE 88%**

**E27**

FULLY PRE-WIRED



Bulkhead supplied **fully pre-wired** with **E27 lampholder**. White resin reflective plate designed to grant lampholder protection and isolation. Safe fixation of the electrical devices on the plate rear side.

*Daylight and motion sensor* available as an option. Sensor operating voltage: 220-240V (120V available on demand).

	max 160 mm	*ADD. SUFFIX
<b>E27</b> (CFL -LED)	↔	.E27
<b>E27 + SENSOR</b> (CFL -LED)		.E57

\* ADD THESE SUFFIXES TO THE REFERENCES MENTIONED IN THE CATALOGUE

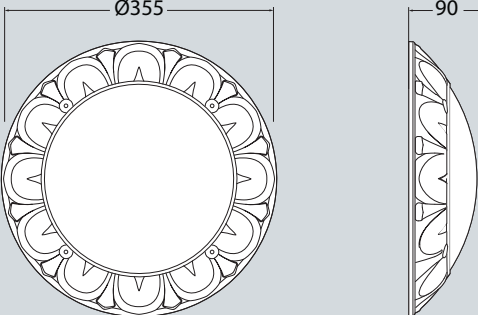
# RITA

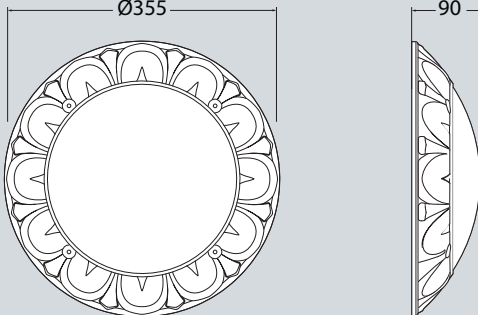
CLASSIC ROUND



1T3.000



RITA GX53	
<b>7,2W</b>	1T3.000.A1K
<b>11,3W</b>	1T3.000.B1K
<b>17W</b>	1T3.000.E1K
<p>CCT SETTABLE GX53 LED LAMP INCLUDED 2700K/4000K/6500K</p>	
	
Pcs 12 Kg 17,8 mc 0,198	

RITA E27	
<b>E27 lampholder</b>	1T3.000.E27
<b>E27 with sensor</b>	1T3.000.ES7
	
Pcs 12 Kg 15,4 mc 0,198	