

COMPANY SOLAR UP&DOWN DOWNLIGHT IN-GROUND BRICKLIGHT FLOODLIGHT BOLLARD BULKHEAD GARDEN URBAN CLASSIC URBAN MODERN POST LAMPS REFERENCES

# TERESA 160

DOWNLIGHT



Recessed downlight luminaries with round shape and no visible screws. Made of shockproof resin material, UV-rays stabilized, rust and corrosion-free. Supplied with TÜV-CB certified, long-life, efficient and Kelvin settable GX53 LED lamps included. Insulation class II, protection rating IP55.

*Lampada circolare per incasso a soffitto, senza viti a vista. Realizzata in resina antiurto, stabilizzata ai raggi UV, inattaccabile da ruggine e corrosione. Fornita con inclusa lampadina a LED GX53, certificata TÜV-CB di lunga durata ed elevata efficienza. Classe di isolamento II, grado di protezione IP55.*



410.000.D1K

**CCT SETTABLE**

3000 K 4000 K 6500 K

SDCM <6

RECYCLABLE	ANTI-SHOCK	TEMPERATURE		DOWNLIGHT	INDOOR OUTDOOR



**TERESA 160 - COMPONENTS**

**IP55**



**HOUSING** made of shockproof resin material, suitable for the electrical devices fixation into it. Provided complete with GX53 lampholder and metal spring for recessed downlight installation.

**CASSA** realizzata in resina antiurto, predisposta per il fissaggio al suo interno degli accessori elettrici. Fornita completa di portalampada GX53 e di molletta metallica per permetterne l'installazione in controsoffitti.

**DIFFUSER** in opal color to grant a uniform spread of the lighting output and get a lower dazzle. Made of shockproof resin material (PC) and complete with silicone rubber gasket to ensure high protection against external agents. DIFFUSORE in colore opale.

**DIFFUSORE** in colore opale per garantire una distribuzione uniforme del fascio luminoso e ridurre l'abbagliamento. Realizzato in resina antiurto (PC) e completo di guarnizione in gomma silconica per garantire un alto livello di protezione contro gli agenti esterni.

**TERESA 160**



**Dimensions and weight**

Installation housing depth: 69mm  
Diameter: Ø 160 mm  
Weight: 0,347 Kg

**Moulded colours:**

Black     White     Grey

**Diffuser PC:**

Opal

**LED LAMPS**






Comply with: EU2019/2015  
EU2019/2020  
Technical details on page 596.

**GX53 LED**

**100 - 240 V**



LAMP	POWER	LUMINOUS FLUX (Φ TOTAL) UP TO	COLOUR TEMP.	*ADD. SUFFIX
	<b>3 W</b>	<b>410 lm</b>	6500 K	.G1K
			4000 K	
			3000 K	
	<b>10 W</b>	<b>1290 lm</b>	6500 K	.D1K
			4000 K	
			3000 K	

Recessed downlight luminaries supplied with TÜV-CB certified, long-life, efficient and Kelvin settable GX53 lamp included. Different wattages available. Quick and easy lamp replacement for a very simple maintenance after installation.

- **COST SAVING:** long-life and efficient LED light sources.
- **BUILT-IN DRIVER:** quick and easy lamp replacement.
- **GREAT FLEXIBILITY:** GX53 standard lamp holder.
- **FUTURE-PROOFED LUMINARIES:** easy to upgrade.
- **SUITABLE FOR OUTDOOR USE:** driver fully protected against heat and humidity by silicone paste.

**3W** = **40W**  
**410 Lm** = incandescent



**SAVE 93%**

**10W** = **100W**  
**1290 Lm** = incandescent

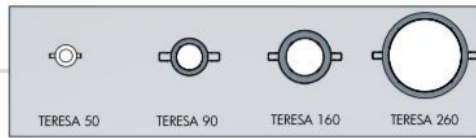


**SAVE 90%**

**CCT SETTABLE LED LAMP**



CCT switch settable in three different positions, to select the desired Kelvin temperature (3000K/4000K/6500K) and get a customized ambience.

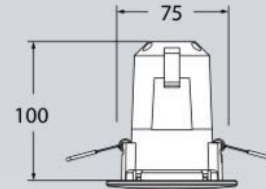
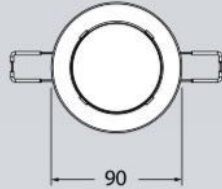


**TERESA 90 GU10**

**3,5 W** 3L0.000.U1K

**6 W** 3L0.000.L1K

CCT SETTABLE GU10 LED LAMP INCLUDED  
2700K/4000K



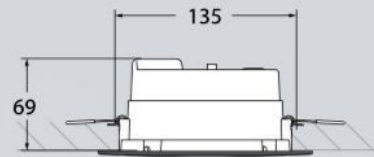
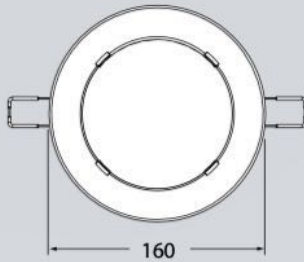
Pcs 40  
Kg 10,5  
mc 0,92

**TERESA 160 GX53**

**3W** 4L0.000.G1K

**10W** 4L0.000.D1K

CCT SETTABLE GX53 LED LAMP INCLUDED  
3000K/4000K/6500K



Pcs 18  
Kg 8,4  
mc 0,092

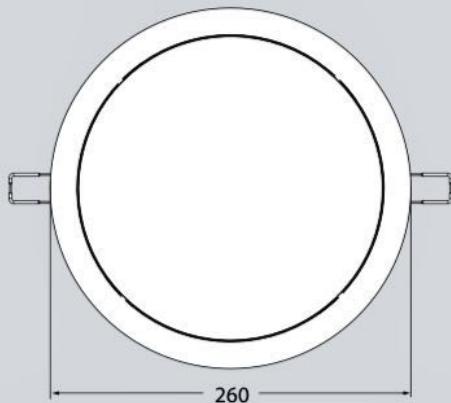
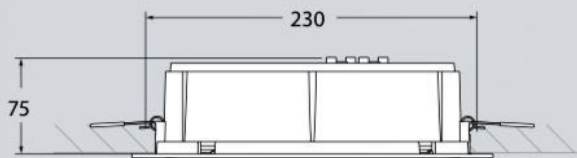
**TERESA 260 GX53**

**7,2W** 5L0.000.A1K

**11,3W** 5L0.000.B1K

**17W** 5L0.000.E1K

CCT SETTABLE GX53 LED LAMP INCLUDED  
2700K/4000K/6500K

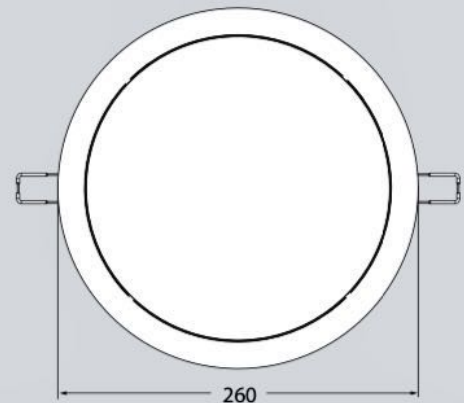
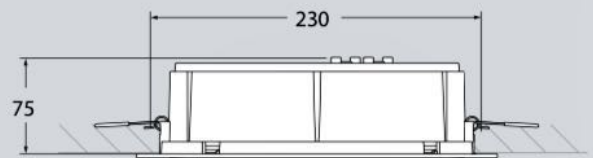


Pcs 16  
Kg 14,4  
mc 0,194

**TERESA 260 E27**

**E27 lampholder** 5L0.000.P27

**E27 with sensor** 5L0.000.PS7



Pcs 16  
Kg 14,4  
mc 0,194