

COMPANY SOLAR UP&DOWN DOWNLIGHT IN-GROUND BRICKLIGHT FLOODLIGHT BOLLARD BULKHEAD GARDEN URBAN CLASSIC URBAN MODERN POST LAMPS REFERENCES

# GIUSEPPE

## FLOODLIGHT



Square floodlight with no visible screws made of shockproof resin material, UV rays stabilized, rust and corrosion-free. Suitable for wall, ceiling and post installation. Supplied with TÜV-CB certified, long-life, efficient and Kelvin settable GX53 LED lamps included or provided with 2x E27 lampholders. Motion sensor version available. Insulation class II, Protection rating IP66.



*Proiettore quadro senza viti a vista, fabbricato in resina antiurto stabilizzata ai raggi UV, inattaccabile da ruggine e corrosione. Idoneo per installazioni a parete, a soffitto e a palo. Fornito con include lampadine a LED GX53 con Kelvin impostabile certificate TÜV-CB di lunga durata ed elevata efficienza o disponibile nella versione 2x E27, anche con sensore di movimento. Classe di isolamento II, grado di protezione IP66.*



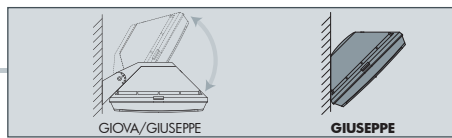
4P2.000.D4K

**CCT SETTABLE**

2700 K 3000 K 4000 K 6500 K

SDCM <6


MADE IN ITALY



**GIUSEPPE - COMPONENTS**

IP66



**COVER** with no visible screws, made of shockproof resin material, UV-rays stabilized.

**COVER** senza viti a vista in resina antiurto stabilizzata ai raggi UV.

**DIFFUSER** made of UV-rays stabilized polymethyl-methacrylate (PMMA) screwed to the floodlight body.

**DIFFUSORE** realizzato in polimetilmetacrilato (PMMA) stabilizzato ai raggi UV da avvitare al corpo del proiettore.

**BODY** made of shockproof resin material, UV-rays stabilized, provided with silicone rubber gasket to ensure high protection against external agents.

**CORPO** realizzato in resina antiurto, stabilizzata ai raggi UV, completa di guarnizione in gomma siliconica per garantire un alto livello di protezione contro gli agenti esterni.

**GIUSEPPE**



**Dimensions and weight**

Height: 150 mm  
Width: 300 mm  
Weight: 2,8 Kg

**Moulded Colours:**

Black  Grey  White

**Diffuser PMMA:**

Opal

**LED LAMPS**



LVD EMC ERP

Comply with: EU2019/2015  
EU2019/2020

Technical details on page 596.

**4x GX53 LED**

FULLY PRE-WIRED

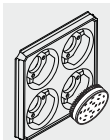


4P2.000

Floodlight supplied with white resin reflective ceiling fully pre-wired and complete with 4 x TÜV-CB certified long-life efficient and Kelvin settable GX53 LED lamps included. Quick and easy lamp replacement for a very simple maintenance after installation.

**100 - 240 V**

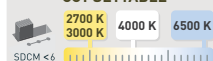
LAMP	POWER	LUMINOUS FLUX (Φ TOTAL) UP TO	COLOUR TEMP.	*ADD. SUFFIX
	4x 10W <b>40W</b>	5160 lm	6500 K	.D4K
			4000 K	
			3000 K	



4x 10W = 100W  
5160 Lm SON-HQI

**SAVE 60%**

**CCT SETTABLE**



SDCM <6

**GX53 LED**

FULLY PRE-WIRED



4P1.000

Floodlight supplied fully pre-wired and complete with TÜV approved, long-life, efficient and Kelvin settable GX53 LED lamp in different wattages.

**100 - 240 V**

LAMP	POWER	LUMINOUS FLUX (Φ TOTAL) UP TO	COLOUR TEMP.	*ADD. SUFFIX
	7,2 W	920 lm	6500 K	.A1K
			4000 K	
			2700 K	
	11,3 W	1510 lm	6500 K	.B1K
			4000 K	
			2700 K	
	17 W	2350 lm	6500 K	.E1K
			4000 K	
			2700 K	
	7,2 W + SENSOR	920 lm	6500 K	.ASK
			4000 K	
			2700 K	
	11,3 W + SENSOR	1510 lm	6500 K	.BSK
			4000 K	
			2700 K	
	17 W + SENSOR	2350 lm	6500 K	.ESK
			4000 K	
			2700 K	



7,2W = 60W  
11,3W = 100W  
17W = 150W  
incandescent

**SAVE 88%**

**2x E27**

FULLY PRE-WIRED



4P2.000

Floodlight supplied fully pre-wired with white resin reflective ceiling and complete with 2x E27 lampholders.

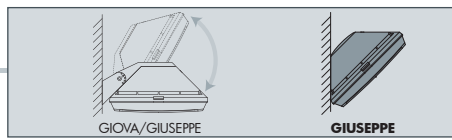
Daylight and motion sensor available as option. Sensor operating voltage: 220-240V. (120V version available on demand).

LAMP	POWER	LUMINOUS FLUX (Φ TOTAL) UP TO	COLOUR TEMP.	*ADD. SUFFIX
	2x E27 (CFL-LED)	max 160 mm	6500 K	.E28
			4000 K	
	2x E27 + SENSOR	max 160 mm	6500 K	.ES8
			4000 K	

\* ADD THESE SUFFIXES TO THE REFERENCES MENTIONED IN THE CATALOGUE

**GIUSEPPE**  
FLOODLIGHT

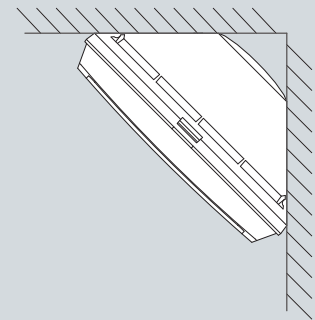
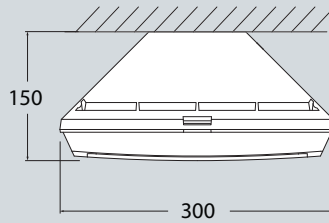
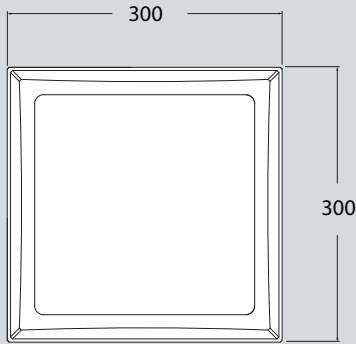




**GIUSEPPE GX53**

<b>7,2W</b>	4P1.000.A1K
<b>11,3W</b>	4P1.000.B1K
<b>17W</b>	4P1.000.E1K
<b>40W</b>	4P2.000.D4K

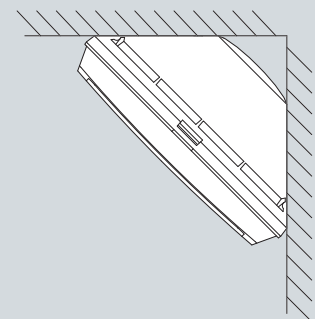
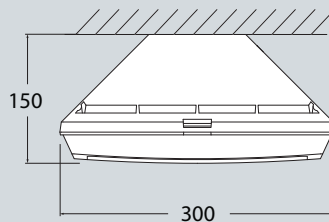
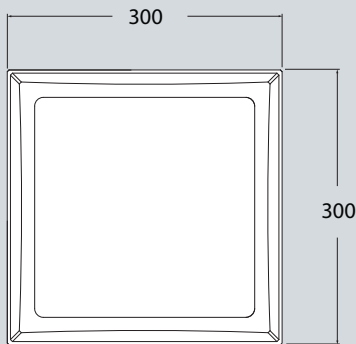
CCT SETTABLE GX53 LED LAMPS INCLUDED



Pcs 10  
Kg 29  
mc 0,195

**GIUSEPPE 2xE27**

<b>2xE27 lampholder</b>	4P2.000.E28
<b>2xE27 with sensor</b>	4P2.000.ES8



Pcs 10  
Kg 19  
mc 0,195

**BOLLARD VERSION**



Detailed information on page 234.