

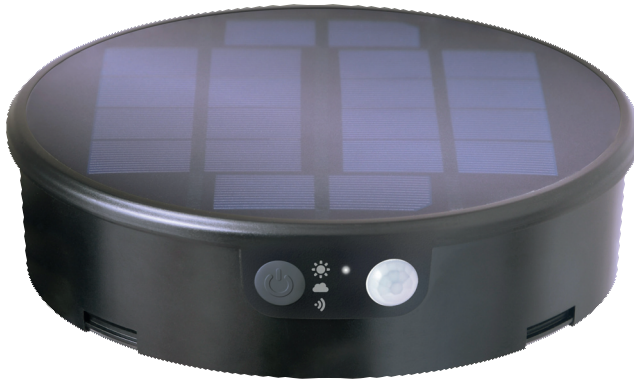


TOP SELECTION GARDEN 2023 - SOLAR RANGE



SOLAR RANGE





3 WORKING MODE

 WORKING MODE	<p>SUMMER MODE 1 flash</p> <p>15% 42Lm 100% 280Lm for 25 sec.</p> <p>AUTONOMY 25h (at fully charged battery)</p>	<p>WINTER MODE 2 flash</p> <p>7% 20Lm 100% 280Lm for 25 sec.</p> <p>AUTONOMY 46h (at fully charged battery)</p>	<p>SENSOR MODE 3 flash</p> <p>OFF 100% 280Lm for 25 sec.</p> <p>423 SENSOR DETECTIONS (at fully charged battery)</p>	<p>STAND BY MODE</p> <p>OFF</p> <p>NO WORKING TO PRESERVE THE BATTERY</p>
	<p>CHARGING TIME 6h at 60.000 Lux (full sunny day)</p>			
	<p>REPLACEABLE BATTERY</p> <ul style="list-style-type: none"> • LiFePO4 IFR 26650 3,3Ah-3,2V • No risk of explosion • Working temperature -10° to +60°C • Longer Lifetime 			
	<p>MOTION SENSOR</p> <ul style="list-style-type: none"> • PIR Sensor control • Detection angle 120° • Fields of detection up to 5mt • Active for 25 sec. 			

REPLACEABLE BATTERY

- LiFePO4 IFR 26650 3,3Ah-3,2V
- No risk of explosion
- Working temperature -10° to +60°C
- Longer Lifetime

NO WIRES NEEDED

MOTION SENSOR

- PIR Sensor control
- Detection angle 120°
- Fields of detection up to 5mt
- Active for 25 sec.

CCT SETTABLE LED

- 3000K/4000K/6500K

CRI >80

SDCM <6

3000 Kelvin, 4000 Kelvin, 6500 Kelvin



SOLAR PANEL

- 5V/2W
- Monocrystalline PET type
- Antishock material

ANTI SHOCK



JOSEPHA

MODERN SOLAR LED



MADE IN ITALY





NEW

JS1_242.S1KOP2







REFLECTOR - OPTIONAL COLOURS

CLEAR	BLUE	GREEN
HX.SOL.RFL	HU.SOL.RFL	HN.SOL.RFL

FELICE SOLAR				
SOLAR MODULE	BATTERY LIFE/PG4	SOLAR PANEL	LUMINOUS FLUX	CCT SETTABLE
 SOLAR LED MODULE	3,3Ah 3,2V  REPLACEABLE BATTERY	5V/2W	max 280Lm	6500K/4000K/3000K


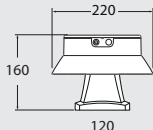





AVAILABLE COLORS			
RESIN BODY (MOULDED COLOURS)			REFLECTOR (STANDARD VERSION)
BLACK (A)	GREY (L)	WHITE (W)	OPAL (.OP2)
			

NEWS

JOSEPHA 160

JS1.114.S1KOP2


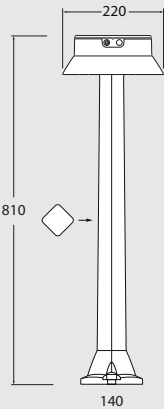









Master box: **18pcs**

MODERN SOLAR LED

JOSEPHA 800

JS1.242.S1KOP2



CLASSIC SOLAR LED

FIORINA




MODERN SOLAR LED



FI1.542.S1K

FIORINA/FORTUNATO SOLAR				
SOLAR MODULE	BATTERY LIFE/PG4	SOLAR PANEL	LUMINOUS FLUX	CCT SETTABLE
 SOLAR LED MODULE	3,3Ah 3,2V  REPLACEABLE BATTERY	5V/2W	max 280Lm	6500K/4000K/3000K




AVAILABLE COLORS		
RESIN BODY (MOULDED COLOURS)		
 BLACK (A)	 GREY (L)	 WHITE (W)

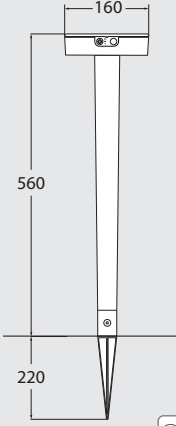
NEWS

FIORINA

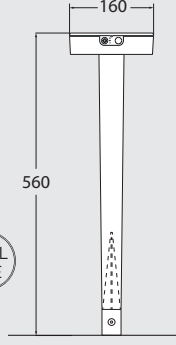


 **FI.1.542.S1K**




SPIKE INSTALLATION



GROUND INSTALLATION



DUAL USE






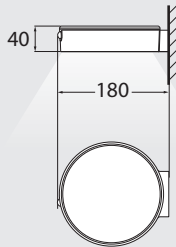
Master box: 6pcs




MODERN SOLAR LED

FORTUNATO



 **FO.1.000.S1K**



Master box: 12pcs

CLASSIC SOLAR LED

FELICE

MODERN SOLAR LED



MADE IN ITALY



FE1.575.S1KOP2



REFLECTOR - OPTIONAL COLOURS

CLEAR



HX.SOL.RFL

BLUE





HU.SOL.RFL





GREEN



HN.SOL.RFL

FELICE SOLAR				
SOLAR MODULE	BATTERY LIFE/PG4	SOLAR PANEL	LUMINOUS FLUX	CCT SETTABLE
 SOLAR LED MODULE	3,3Ah 3,2V	5V/2W	max 280Lm	6500K/4000K/3000K
	 REPLACEABLE BATTERY			



AVAILABLE COLORS			
RESIN BODY (MOULDED COLOURS)			REFLECTOR (STANDARD VERSION)
BLACK (A)	GREY (L)	WHITE (W)	OPAL (.OP2)
			

FELICE 800

 FE1.575.S1KOP2
OPAL REFLECTOR





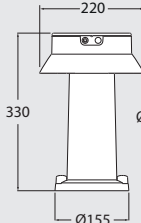

730 220 Ø95 Ø155




Master box: **4pcs**

FELICE 400

 FE1.574.S1KOP2
OPAL REFLECTOR

330 220 Ø95 Ø155

Master box: **12pcs**

FELICE 200

 FE1.573.S1KOP2
OPAL REFLECTOR




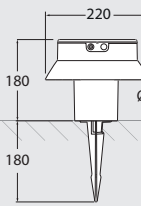

180 220 Ø95



Master box: **18pcs**

FELICE 200 SPIKE

 FE1.572.S1KOP2
OPAL REFLECTOR

180 220 Ø95 180

Master box: **18pcs**

SANTINA

MODERN SOLAR LED



MADE IN ITALY



SL1.257.S1KOP2



SL1.259.S1KOP2

REFLECTOR - OPTIONAL COLOURS

CLEAR



HX.SOL.RFL

BLUE





HU.SOL.RFL



GREEN



HN.SOL.RFL

SANTINA SOLAR				
SOLAR MODULE	BATTERY LIFE/PO4	SOLAR PANEL	LUMINOUS FLUX	CCT SETTABLE
 SOLAR LED MODULE	3,3Ah 3,2V  REPLACEABLE BATTERY	5V/2W	max 280Lm	6500K/4000K/3000K



AVAILABLE COLORS	
RESIN BODY (MOULDED COLOURS)	REFLECTOR (STANDARD VERSION)
 BLACK (A)	 OPAL (.OP2)





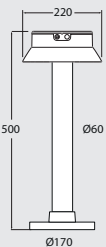
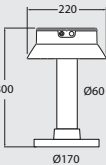
NEWS



CCT SET

SENSOR

WORKING MODE

SANTINA 800	SANTINA 500	SANTINA 300
 SL1.257.S1KOP2 OPAL REFLECTOR	 SL1.256.S1KOP2 OPAL REFLECTOR	 SL1.255.S1KOP2 OPAL REFLECTOR
		




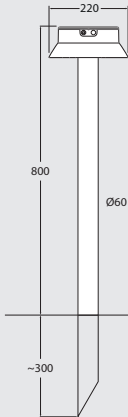
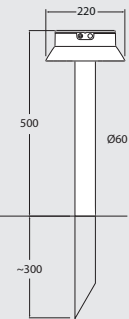
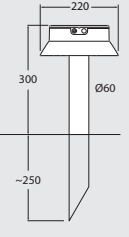
MODERN SOLAR LED



CCT SET

SENSOR

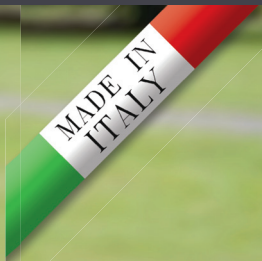
WORKING MODE

SANTINA 800 SPIKE	SANTINA 500 SPIKE	SANTINA 300 SPIKE
 SL1.260.S1KOP2 OPAL REFLECTOR	 SL1.259.S1KOP2 OPAL REFLECTOR	 SL1.258.S1KOP2 OPAL REFLECTOR
		


CLASSIC SOLAR LED

ROSETTA




CLASSIC SOLAR LED



R22.151.S1K

AVAILABLE COLORS	
RESIN BODY	DIFFUSER
 BLACK (A)	 FROSTED (F)



ROSETTA SOLAR				
SOLAR MODULE	BATTERY LIFE/POL	SOLAR PANEL	LUMINOUS FLUX	CCT SETTABLE
 SOLAR LED MODULE	3,3Ah 3,2V	 5V/2W	max 280Lm	6500K/4000K/3000K
 RECHARGEABLE BATTERY				

NEWS

BISSO/ROSETTA

 R22.131.S1K



Master box: **12 pcs**

MINILOT/ROSETTA

 R22.111.S1K



Master box: **12 pcs**

MODERN SOLAR LED

MIZAR/ROSETTA

 R22.151.S1K



IAFET/ROSETTA

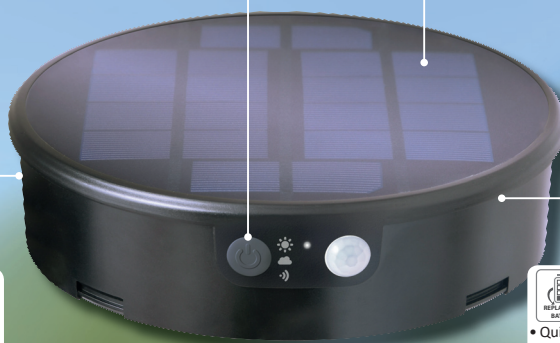
 R22.162.S1K



CLASSIC SOLAR LED

TÜV CERTIFIED LED MODULES



MATERIAL

- PC material suitable for outdoor use
- UV rays stabilized
- Anti shock

SWITCH

- Long press + 5 sec.: for Mode selection
- Short press: for CCT selection

SOLAR PANEL

- Panel 2W/5V
- Monocrystalline
- Antishock material
- UV rays treated.
- Cover made in PET material granting antishock performances for outdoor use

3 WORKING MODE

- ☀️ SUMMER MODE
- ☁️ WINTER MODE
- 🔊 SENSOR MODE

REPLACEABLE BATTERY

- Quick and easy battery replacement
- LiFePO4 IFR 26650 3,3Ah-3,2V
- No risk of explosion
- Working temperature -10° to +60°C



PIR SENSOR

- Detection angle 120°
- Fields of detection up to 5m
- Active for 25 sec.



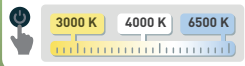
LED

- Power absorption of the led plate 2,5W (at 100% light)
- LED chips connected by pure **gold wires** able to withstand at the highest and lowest temperatures and granting a **lumens maintenance factor > 80%**.
- SMD 3528 LED.



CCT SET **CCT SETTABLE**

- Press the switch to select the desired Kelvin temperature (3000K, 4000K, 6500K) and get a customized ambiance.
- 3000K, 4000K and 6500K led chips on 3 separate circuits to grant SDCM < 6.



LENS

- Frosted color lens reducing dazzle.
- Made of UV rays stabilized resin material to avoid yellowing process.
- Very compact and slim design for a better light distribution and for improving the light efficiency.



SOLAR MODULE - CCT SETTABLE

CCT SETTABLE SDCM < 6
3000 K 4000 K 6500 K

SIZE	40	Ø160
SUMMER MODE	LUMEN	42
	AUTONOMY	25h
WINTER MODE	LUMEN	20
	AUTONOMY	46h
SENSORE MODE	LUMEN	280
	ACTIVE TIME	25 sec
	N° Detections	423
SOLAR PANEL	5V/2W Monocrystalline PET type Antishock material	
CHARGING TIME	6h	
REPLACEABLE BATTERY	LiFePO4 IFR26650 3,3Ah, 3,2V No Risk of explosion Working temperature -10° to +60°C Longer Lifetime Detection angle 120°	
PIR SENSOR	Fields of detection up to 5 mt Active for 25 sec.	
LED	3 CIRCUITS	SMD 3528
	COLOR RENDERING INDEX RA	> 80
	SDCM	< 6
	LIFETIME	30.000 h
	KELVIN SETTABLE	3000 K / 4000 K / 6500 K
REF. CODE	H.LED.SOL.CCT	

IECEE CB CERTIFICATE:
SG PSB-LE-02677M1

LVD EMC ERP

LOOKING FOR SOMETHING ELSE ?

MODERN RANGE 2023



PROMO GARDEN 2023 - MODERN RANGE

CLASSIC RANGE 2023



PROMO GARDEN 2023 - CLASSIC RANGE

PROJECT RANGE 2023



PROMO PROJECT 2023

SOLAR RANGE 2023



PROMO GARDEN 2023 - SOLAR RANGE

Ask for our NEW
General Catalogue 2023
or visit our website at
www.fumagalli.it

RESIN MATERIAL ADVANTAGES

NO MAINTENANCE

ANTI-CORROSION

NOT AFFECTED BY CHEMICAL FERTILIZERS

UV-RAY STABILIZED



MADE IN
ITALY



Fumagalli S.r.l.
Via Ca' Bassa, 29
21100 Varese - ITALY
Tel. +39.0332.336353
Fax. +39.0332.336358
E-mail italian.lux@fumagalli.it



www.fumagalli.it

