

COMPANY SOLAR UP&DOWN DOWNLIGHT IN-GROUND BRICKLIGHT FLOODLIGHT BOLLARD BULKHEAD GARDEN URBAN CLASSIC URBAN MODERN POST LAMPS REFERENCES

GLOBE 300 CLASSIC

MEDIUM SIZE



Ø 300 mm PMMA globe, complete with classic globe base made of shockproof resin material, UV-rays stabilized, rust and corrosion-free. Suitable for post top, hanging and wall installation. Supplied as optional with TÜV-CB certified, long-life and efficient **LED lamps** suitable for outdoor use. Insulation class II, protection rating IP 55.

Globo Ø 300 mm in polimetilmetacrilato (PMMA) completo di base classica realizzata in resina antiurto, stabilizzata ai raggi UV, inattaccabile da ruggine e corrosione. Idoneo per il montaggio a palo, a sospensione o a parete. Fornito anche completo di lampadine LED adatte ad uso in ambiente esterno, certificate TÜV-CB, di lunga durata ed elevata efficienza. Classe di isolamento II, grado di protezione IP55.

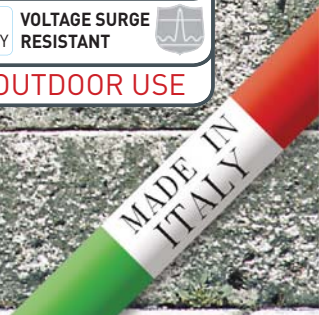


G30.162



G30.111

6,5W	8,5W	11W	
800 lm	920 lm	1200 lm	
2700 K	2700 K	4000 K	6500 K
+80°C -30°C	90% HUMIDITY	VOLTAGE SURGE RESISTANT	
INDOOR & OUTDOOR USE			



GLOBE 300 CLASSIC - COMPONENTS

IP55



Ø 300 mm **GLOBE** made of UV-rays stabilized polymethylmethacrylate (PMMA), one piece only. Available in clear, opal or smoked colour.

GLOBO Ø 300 mm in polimetilmetacrilato (PMMA), resistente all'ingiallimento ed ai raggi UV, realizzato in un unico pezzo. Disponibile nei colori trasparente, bianco o fumé.



GLOBE BASE with classic design, made of shockproof resin material, UV-rays stabilized, rust and corrosion-free. Supplied complete with E27 lampholder.

REGGIBOCCIA con disegno classico realizzato in resina antiurto, stabilizzato ai raggi UV, inattaccabile da ruggine e corrosione. Fornito completo di portalampada E27.

GLOBE 300 CLASSIC

G30.B30 *



Dimensions and weight

Height: 310 mm
Diameter: 300 mm
Weight: 1,1 Kg

Moulded colours:

Black White

Painted colours:

Antique green Antique bronze

Diffuser PMMA:

Clear Opal Smoked

E27 FILAMENT



E27 CCT SET(*)



100 - 240 V

*ADD. SUFFIX

suitable lamps: CFL-LED		E27 lampholder only		.E27
LAMP	POWER	LUMINOUS FLUX UP TO	COLOUR TEMP.	
FILAMENT LED E27	6,5W	800 lm	2700 K	.F1R
CCT SET LED E27	8,5 W	920 lm	6500 K 4000 K 2700 K	.V1K
CCT SET LED E27	11 W	1200 lm	6500 K 4000 K 2700 K	.T1K

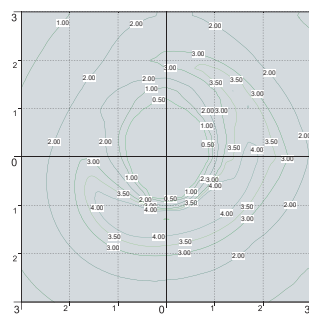
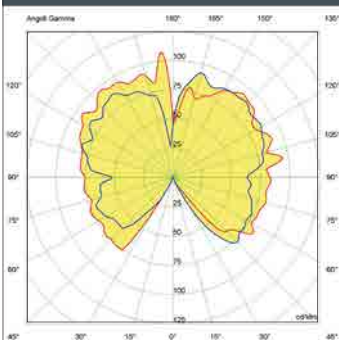
6,5W filament = 60W incandescent
8,5W CCT = 75W incandescent
11W CCT = 75W incandescent

SAVE up to 89%

- Perfect **MATCHING WITH CLASSIC LANTERNS.**
- **SUITABLE FOR OUTDOOR USE:** 100-240V driver.
- **360°OMNIDIRECTIONAL LIGHT. HIGH EFFICIENCY: 90% ENERGY SAVING.**

- **A60 CCT SETTABLE:** 2700K/4000K/6500K.
- **SUITABLE FOR OUTDOOR USE:** 100-240V driver.
- **EYE COMFORT** opal glass.
- **HIGH EFFICIENCY: >85% ENERGY SAVING.**

PHOTOMETRIC DATA SAMPLE



GLOBE 300 CLASSIC clear with Fumagalli Led Lamp CCT set 8,5W.

POST height 2mt
6x6mt area: average 3,5 lux

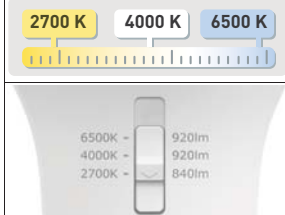
The photometric data for all the versions are available upon request or on our website.

LED LAMPS



Comply with:EU2019/2015
EU2019/2020
Technical details on page 596.

CCT SETTABLE LED LAMP(*)



CCT switch settable in three different positions, to select the desired Kelvin temperature (2700K/4000K/6500K) and get a customized ambiance.

* ADD THESE SUFFIXES TO THE REFERENCES MENTIONED IN THE CATALOGUE

COMPANY SOLAR UP&DOWN DOWNLIGHT IN-GROUND BRICKLIGHT FLOODLIGHT BOLLARD BULKHEAD GARDEN URBAN CLASSIC URBAN MODERN POST LAMPS REFERENCES

GLOBE 300 CLASSIC

MEDIUM SIZE



G30.157.S20.F1R



G30.131.F1R



G30.111.F1R



G30.120.F1R

MADE IN ITALY

RICU BISSO/G300 2L

E27 G30.157.S20.E27
6,5W filament G30.157.S20.F1R
8,5W CCT set G30.157.S20.V1K
11W CCT set G30.157.S20.T1K

Pcs 2
Kg 29,4
mc 0,366

RICU BISSO/G300 3L

E27 G30.157.S30.E27
6,5W filament G30.157.S30.F1R
8,5W CCT set G30.157.S30.V1K
11W CCT set G30.157.S30.T1K

Pcs 2
Kg 31,8
mc 0,401

BISSO/G300

E27 G30.131.E27
6,5W filament G30.131.F1R
8,5W CCT set G30.131.V1K
11W CCT set G30.131.T1K

Pcs 24
Kg 44,2
mc 0,638

SICHEM/G300

E27 G30.120.E27
6,5W filament G30.120.F1R
8,5W CCT set G30.120.V1K
11W CCT set G30.120.T1K

Pcs 24
Kg 44,2
mc 0,638

GLOBE 300 CLASSIC

G30.B30

Pcs 2
Kg 2,2
mc 0,059

RICU/G300

E27 G30.157.E27
6,5W filament G30.157.F1R
8,5W CCT set G30.157.V1K
11W CCT set G30.157.T1K

Pcs 2
Kg 22,2
mc 0,274

GIGI/G300

E27 G30.156.E27
6,5W filament G30.156.F1R
8,5W CCT set G30.156.V1K
11W CCT set G30.156.T1K

Pcs 2
Kg 20,7
mc 0,242

ARTU'/G300

E27 G30.158.E27
6,5W filament G30.158.F1R
8,5W CCT set G30.158.V1K
11W CCT set G30.158.T1K

Pcs 2
Kg 17,7
mc 0,211

ALOE'R/G300

E27 G30.163.E27
6,5W filament G30.163.F1R
8,5W CCT set G30.163.V1K
11W CCT set G30.163.T1K

Pcs 2
Kg 8,2
mc 0,146

MINILOT/G300

E27 G30.111.E27
6,5W filament G30.111.F1R
8,5W CCT set G30.111.V1K
11W CCT set G30.111.T1K

Pcs 24
Kg 44,2
mc 0,638

IAFET.R/G300 resin

E27 G30.162.E27
6,5W filament G30.162.F1R
8,5W CCT set G30.162.V1K
11W CCT set G30.162.T1K

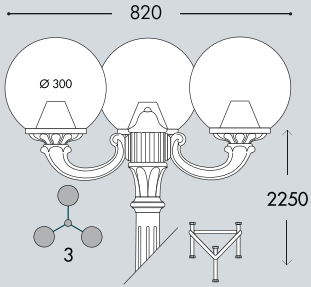
Pcs 2
Kg 7,5
mc 0,117

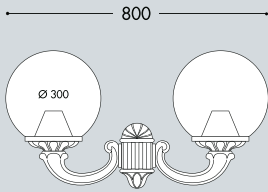
GLOBE 300 CLASSIC

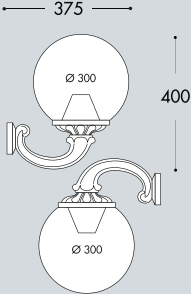
MEDIUM SIZE

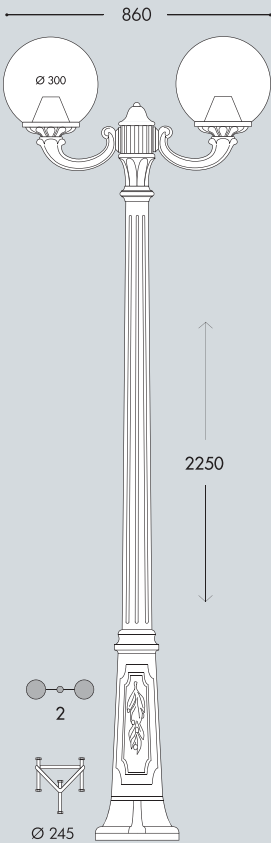


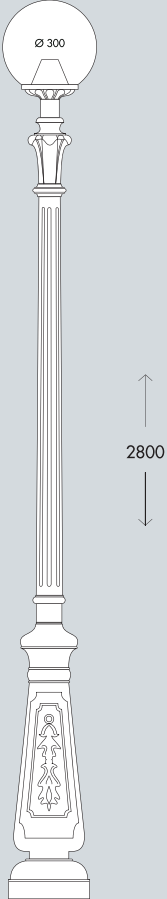
MADE IN ITALY

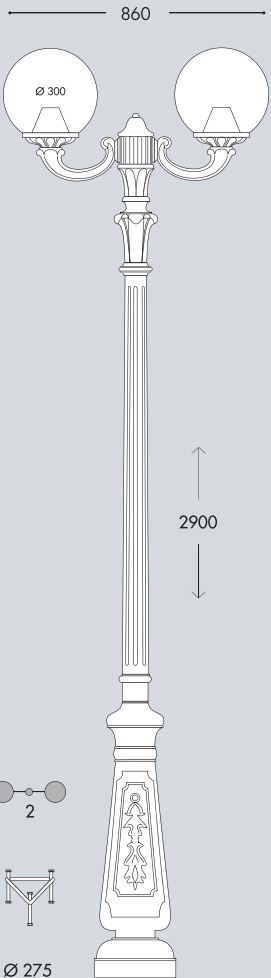
RICU OFIR/G300 3L	
E27	G30.157.R30.E27
6,5W filament	G30.157.R30.F1R
8,5W CCT set	G30.157.R30.V1K
11W CCT set	G30.157.R30.T1K
Pcs 2 Kg 29,9 mc 0,439	
	

MIRRA/G300	
E27	G30.142.E27
6,5W filament	G30.142.F1R
8,5W CCT set	G30.142.V1K
11W CCT set	G30.142.T1K
Pcs 1 Kg 5,1 mc 0,077	
	

OFIR/G300	
E27	G30.132.E27
6,5W filament	G30.132.F1R
8,5W CCT set	G30.132.V1K
11W CCT set	G30.132.T1K
Pcs 2 Kg 4,6 mc 0,077	
	

RICU OFIR/G300 2L	
E27	G30.157.R20.E27
6,5W filament	G30.157.R20.F1R
8,5W CCT set	G30.157.R20.V1K
11W CCT set	G30.157.R20.T1K
Pcs 2 Kg 26,3 mc 0,379	
	

NEBO/G300	
E27	G30.201.E27
6,5W filament	G30.201.F1R
8,5W CCT set	G30.201.V1K
11W CCT set	G30.201.T1K
Pcs 1 Kg 22,2 mc 0,163	
	

NEBO OFIR/G300 2L	
E27	G30.201.R20.E27
6,5W filament	G30.201.R20.F1R
8,5W CCT set	G30.201.R20.V1K
11W CCT set	G30.201.R20.T1K
Pcs 1 Kg 25,7 mc 0,208	
	

NEBO OFIR/G300 3L	
E27	G30.201.R30.E27
6,5W filament	G30.201.R30.F1R
8,5W CCT set	G30.201.R30.V1K
11W CCT set	G30.201.R30.T1K
Pcs 1 Kg 30,8 mc 0,237	
